

FASTENING & GROUNDING⁽¹⁾ CLIP

FOR FRAMED MODULES



Screwless and tool-free clipped fastening solutions provide fast and simple assembly, enabling customers to reduce the overall cost of renewable energies.

PowAR Slot FS6 - E/W

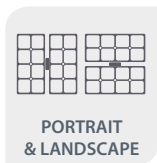
COMBINED **FASTENING & GROUNDING**
FOR FIRST SOLAR SERIES 6
HORIZONTALLY ORIENTED RAILS



APPLICATIONS



MODULES



Benefits

QUICK

- Fastening and grounding in a single operation
- 1 module installed in less than 30 seconds⁽²⁾

COST SAVING

- Quick and tool free installation
- Lower maintenance costs: screwless, no periodic torque control required



EASY TO USE

- Easy panel alignment, specifically designed for irregular terrain
- Installation friendly: clips can be inserted from underneath the PV array
- Quick and easy to dismantle from below the module

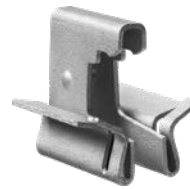
APPROVALS

- Clip tested by ARaymond Energies test center

(1) Bonding PV panel frame to connected rail, requires rail bonded to grounding electrode system.

(2) According to field tests results available upon request.

PowAR Slot: FASTENING & GROUNDING/BONDING CLIP OPTIMIZED FOR SERIES 6



TECHNICAL SPECIFICATIONS

		PowAR Slot FS6 - E/W
PRODUCT DETAILS	ARTICLE N°	247413001
	MATERIAL	Steel 1.123- DIN EN 10132:200 (SAE 1070- ASTM AISI)
	SURFACE TREATMENT	Zn Al Flake Coating
	DIMENSIONS IN MM DIMENSIONS IN INCH	27 x 17 x 29 1.063 x 0.669 x 1.142 in
	WEIGHT IN G	16,8
PERFORMANCES	MECHANICAL RESISTANCE	Load +2400 /-2400 Pa according to static load test
	CORROSION RESISTANCE	No red rust after 720 hours salt spray acc. EN 60068-2-11:1999
	GROUNDING CONTINUITY	Compliant with IEC 60439-1:2004 8.2.4.1 after 240 hours salt spray, acc. to EN 60068-2-11:1999
ENVIRONMENT	PV MODULE SPECIFICATIONS	First Solar Series 6 compliant
	RAIL SPECIFICATIONS	See technical drawings below

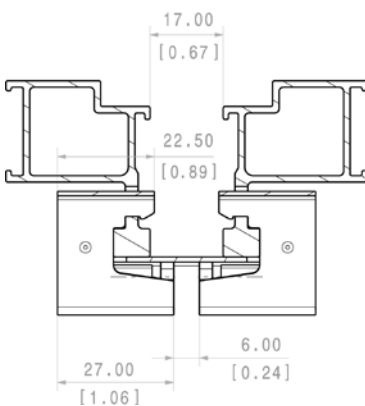
Product information disclosed in this "data sheet" can be modified without any previous notice.

East/West rails configuration
(horizontally oriented)*

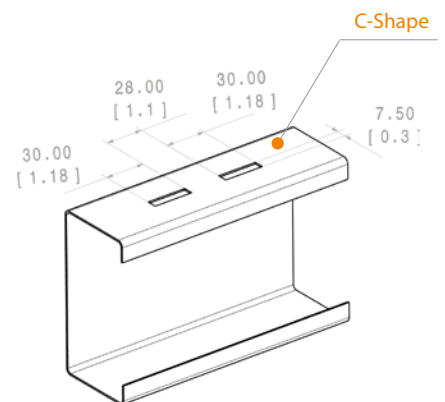
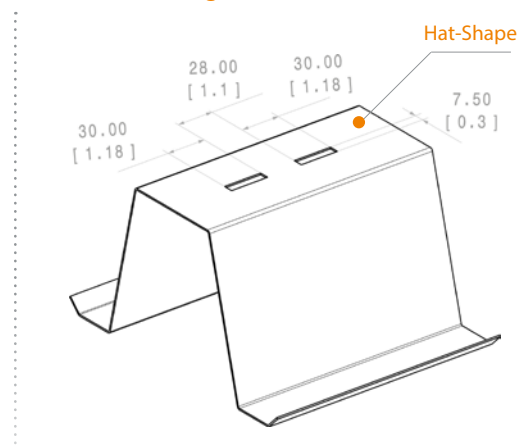


EXAMPLES OF RAIL SPECIFICATIONS

Cross section view



E/W rails configuration



* For North/South (vertically oriented rails) refer to PowAR Pin N/S datasheet.

www.araymond-energies.com

ARaymond Energies SAS (RCS Grenoble 798 705 604) - ZI Technisud 123 rue Hilaire de Chardonnet - 38100 Grenoble - FRANCE has designed this datasheet.

"ARaymond Network" means a network of companies which have a license of use of ARAYMOND™. This datasheet is provided for information purposes only and does not constitute an offer or an agreement. ARaymond Energies makes no warranty or representation whatsoever, express or implied, including but not limited to the accuracy, reliability, novelty, completeness, fit for a particular purpose or merchantability of the information contained in it. If you need further information, please contact ARaymond Energies.

EE-2020-0103-EN - ©Raygroup Communication. Photo Credit: ©ARaymond Network, ©Ronan Kerloch.