

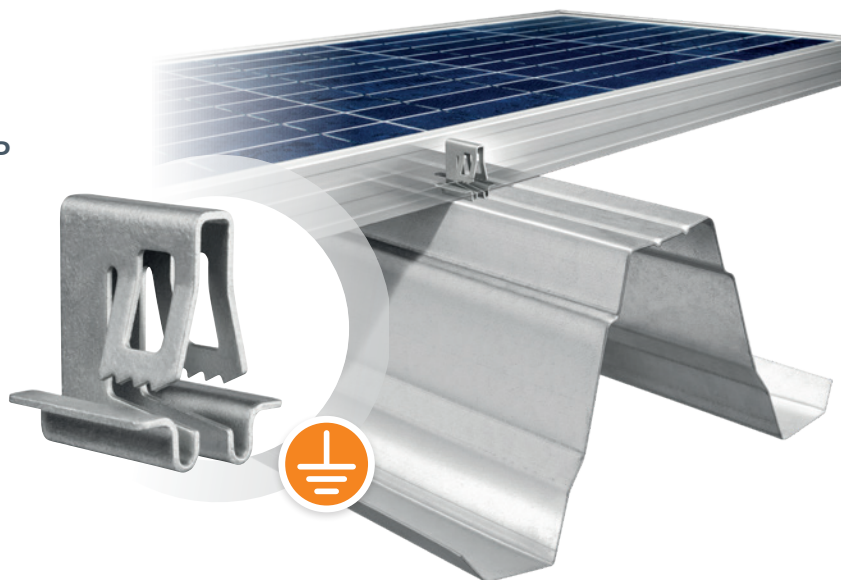
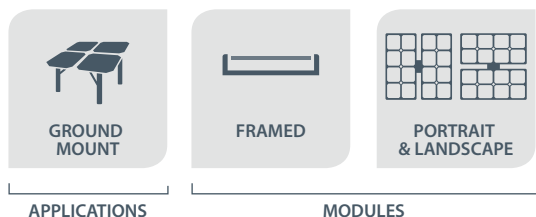
FASTENING & GROUNDING CLIP FOR FRAMED MODULES



Screwless and tool-free clipped fastening solutions provide fast and simple assembly, enabling customers to reduce the overall cost of renewable energies.

PowAR Slot

COMBINED **FASTENING & GROUNDING** CLIP FOR FRAMED PV MODULE



Benefits

QUICK

- Fastening and grounding in a single operation.
- 1 module installed in less than 30 seconds⁽¹⁾.

COST SAVING

- Quick and tool free installation
- Lower maintenance costs: screwless, no periodic torque control required
- Hot spot risk reduction for PV modules thanks to elastic mechanical clamping⁽²⁾



EASY TO USE

- Easy panel alignment, specifically designed for uneven terrain
- Installation friendly: clips can be inserted from underneath the array
- Easy to dismount from the module's backside

APPROVALS

- Clip tested by ARaymond Energies test center
- Qualified by major module manufacturers⁽³⁾
- Tested by SERMA TECHNOLOGIES according to IEC 61215 - 2016

(1) According to field tests results available upon request.

(2) Mechanical shocks and daily thermal cycles often induce micro-cracks within cells, leading to hot spots and power output degradation.

(3) Report available upon request.

PowAR Slot: FASTENING & GROUNDING CLIP FOR FRAMED MODULES OR GROUND MOUNT



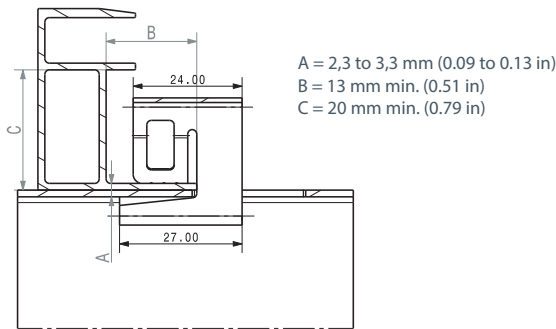
TECHNICAL SPECIFICATIONS

		PowAR Slot	
PRODUCT DETAILS	ARTICLE N°	247767	
	MATERIAL	Steel 1.1231- DIN EN 10132:2000 (SAE 1070- ASTM AISI)	
	SURFACE TREATMENT	Zn Al Flake Coating	
	DIMENSIONS	in mm	27 x 22 x 28
		in inches	1.063 x 0.866 x 1.102
WEIGHT IN G		13	
PERFORMANCES	MECHANICAL RESISTANCE	Load +5400/-2400 Pa compliant with IEC 61215-1-2.16:2016	
	CORROSION RESISTANCE	No red rust after 720 hours salt spray acc. EN 60068-2-11:1999	
	GROUNDING CONTINUITY	Compliant with CEI 61439-1 (2011) § 10.5.2 and salt mist test, acc. to NF EN 60068-2-11 (1999) certified by Veritas. Internal tested after 1 000 hours	
ENVIRONMENT	PV MODULE SPECIFICATIONS	For W, V and B see module specification	
	RAIL SPECIFICATIONS	For L, M and N see the below rail interface design	

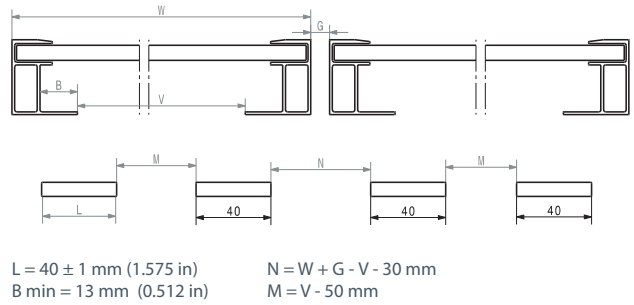
Product information disclosed in this "datasheet" can be modified without any previous notice.

EXAMPLES OF RAIL SPECIFICATIONS

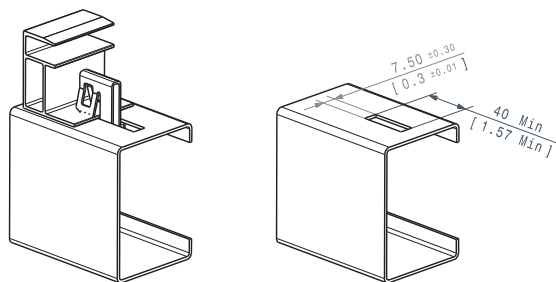
Cross section view & PV module specifications



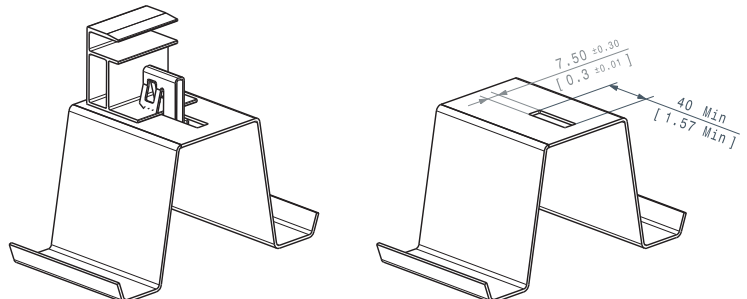
Rail interface design rules for adjustment capability of ±15 mm



C-Shape configuration



Hat-Shape configuration



www.araymond-energies.com

ARaymond Energies SAS (RCS Grenoble 798 705 604) - ZI Technisud 123 rue Hilaire de Chardonnet - 38100 Grenoble - FRANCE has designed this datasheet.

"ARaymond Network" means a network of companies which have a license of use of ARAYMOND™. This datasheet is provided for information purposes only and does not constitute an offer or an agreement. ARaymond Energies makes no warranty or representation whatsoever, express or implied, including but not limited to the accuracy, reliability, novelty, completeness, fit for a particular purpose or merchantability of the information contained in it. If you need further information, please contact ARaymond Energies.
 EU-2019-0410-EN - ©Raygroup Communication. Photo Credit: ©ARaymond Network, ©Ronan Kerloch.